

This part list contains the service parts for the Eclipse  
 ECC 800 and 1000 systems.  
 Prodigy Plus D Series production began in late 2014.  
 E series models began early 2018  
 The models that are covered include:  
 EH222 - head  
 ECC0800 - condensing unit  
 ECC1410 - condensing unit

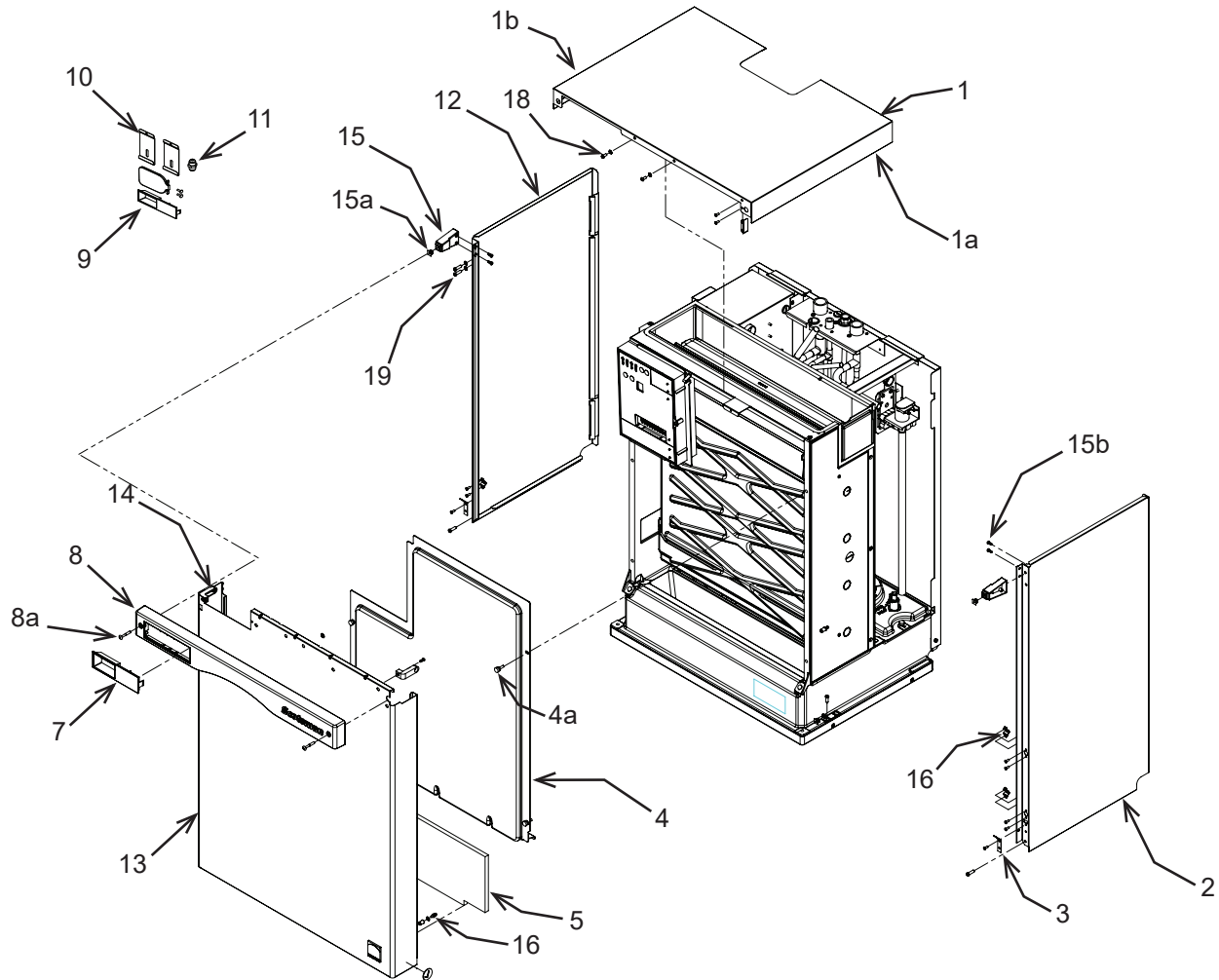
Head voltage is independent of the condensing unit  
 voltage.  
 Voltage codes:  
 -1 = 115/60/1  
 -3 = 208-230/60/3  
 -6 = 230/50/1  
 -32 = 208-230/60/1

## Contents

<b>EH222 Cabinet - C Series</b> . . . . .	Page 2
<b>EH222 Cabinet - D,E Series</b> .. . . .	Page 3
Back Panel Assembly . . . . .	Page 4
EH222 Interior Parts . . . . .	Page 5
EH222 Water System . . . . .	Page 6
EH222 Refrigeration . . . . .	Page 7
EH222 Electrical . . . . .	Page 8
ECC Cabinet and Fan . . . . .	Page 9
ECC Refrigeration Components . . . . .	Page 10
ECC0800 and ECC1410 Compressors . . . . .	Page 11
ECC0800 and ECC1410 Control Box . . . . .	Page 12
EH222 C Schematic Diagram . . . . .	Page 13
EH222 C Wiring Diagram . . . . .	Page 14
EH222 D and E Schematic Diagram . . . . .	Page 15
EH222 D and E Wiring Diagram . . . . .	Page 16
ECC0800 C,D and E and ECC1410 C and D Single Phase Wiring Diagram . . . . .	Page 17
ECC0800 C,D and E and ECC1410 C, D Single Phase Schematic Diagram . . . . .	Page 18
ECC0800 C,D and E and ECC1410 C and D Three Phase Wiring Diagram . . . . .	Page 19
ECC0800 C,D and E and ECC1410 C and D Three Phase Schematic Diagram . . . . .	Page 20
50 Hz Model Wiring and Schematic Diagram . . . . .	Page 21
ECC1410 E Single Phase Wiring Diagram . . . . .	Page 22
ECC1410 E Single Phase Schematic Diagram . . . . .	Page 23
ECC1410 E Three Phase Wiring Diagram . . . . .	Page 24
ECC1410 E Three Phase Schematic Diagram . . . . .	Page 25

# Prodigy Eclipse ECC and EH222 Service Parts

## EH222 Cabinet - C Series

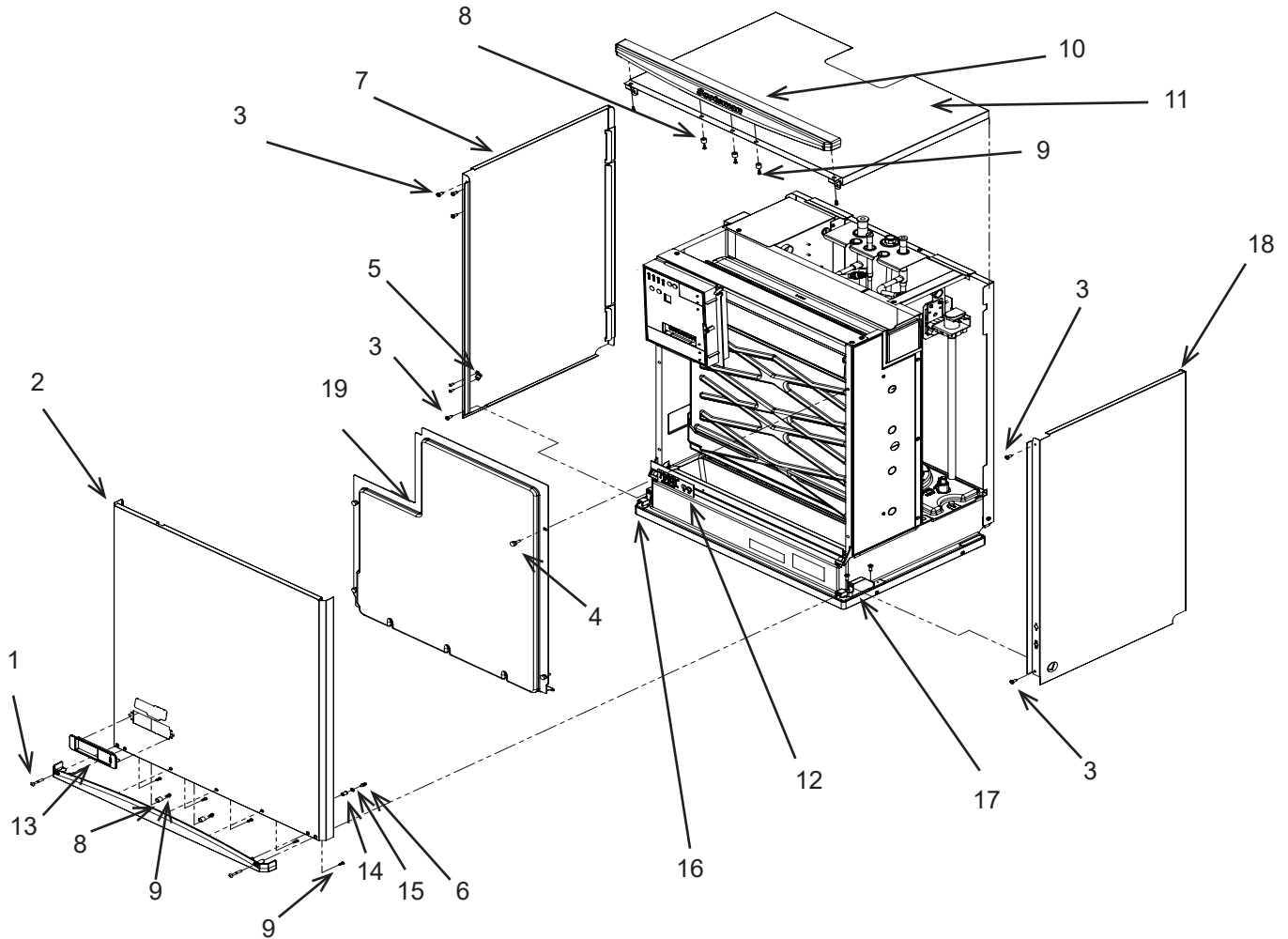


Item Number	Part Number	Description
1	A39074-021	Top panel
2	A39589-021	Right side panel, 60 Hz
	A39589-022	Right side panel, 50 hz
3	A39571-001	Panel clip
4	02-4341-01	Evaporator cover
4a	03-0727-05	Thumb screw
5	02-4324-01	Insulation
6	02-4217-01	Bottom gusset
7	02-4284-01	Bezel, full window - optional
8	02-4214-01	Trim strip
8a	03-1735-03	Screw
9	02-4284-02	Bezel, partial window
10	A39209-001	Machine strap
11	16-1036-01	Flare union
12	A39580-025	Left side panel, 60 Hz
	A39580-027	Left side panel, 50 hz
13	A39578-026	Front panel, includes items 5, 8, 6, 15 and 7
14	02-4216-01	Upper gusset
15	02-4215-01	Receptacle
15a	03-3804-01	Screw receptacle
15b	03-3836-02	Screw, hi-lo
16	03-1733-04	Catch <sup>^</sup>
17	03-1733-01	Strike <sup>^</sup>
18	03-1531-08	Screw <sup>^</sup>
	03-1417-27	Washer <sup>^</sup>
19	03-1404-12	Screw

<sup>^</sup> 50 Hz model only

# Prodigy Eclipse ECC and EH222 Service Parts

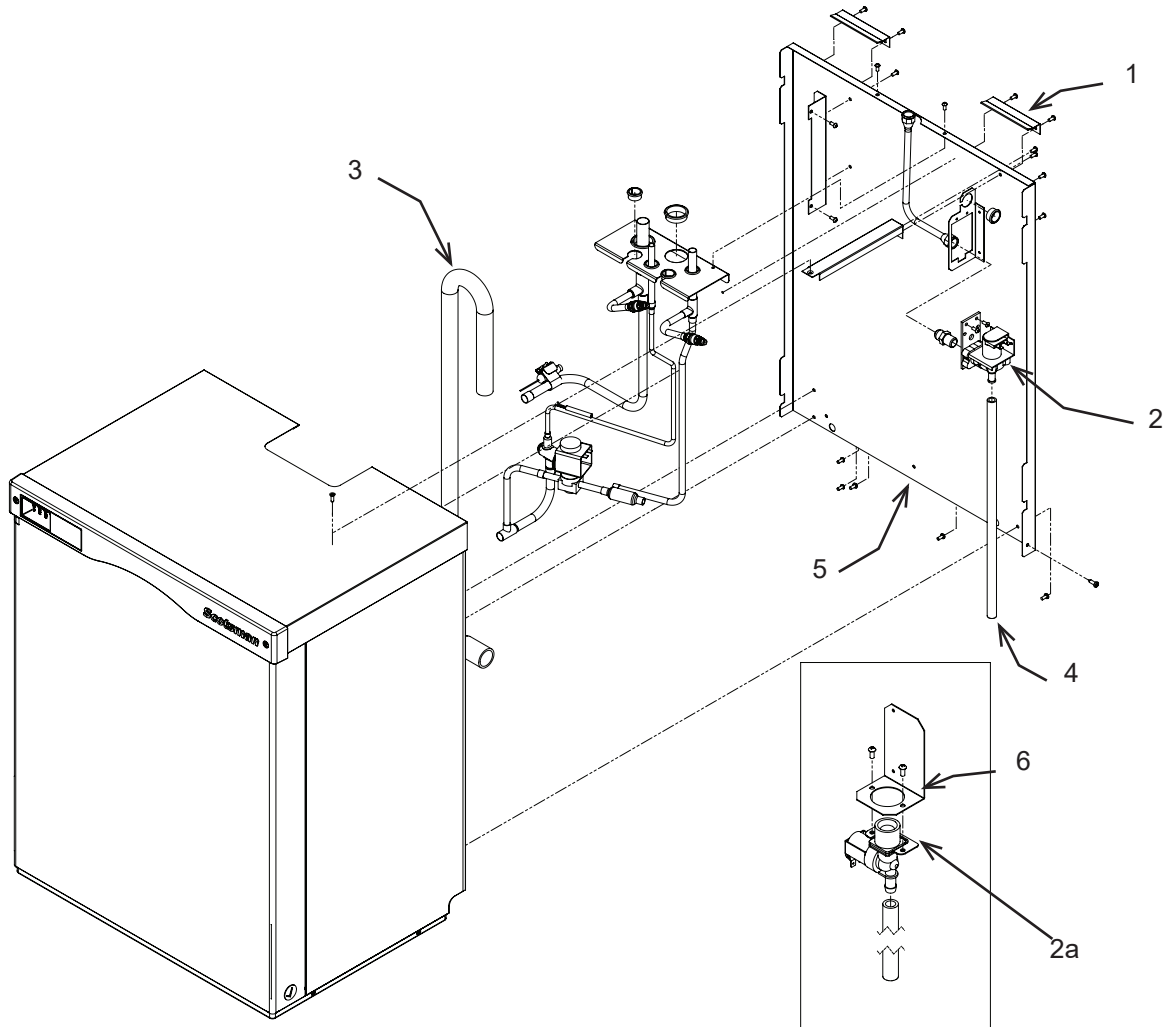
## EH222 Cabinet - D,E Series



Item Number	Part Number	Description
1	03-1735-03	Screw, Front Panel
2	A40308-032	Front Panel Complete
2a	02-4820-02	Lower Trimstrip
3	03-1404-10	Screw #8 X 1/2,
4	03-0727-05	Thumb Screw, #8-32 X 1/2
5	03-1733-04	Receptacle
6	03-1733-01	Ball Stud
7	A40310-027	Left Side Panel
8	02-4824-01	Spacer .25 Id X .38 Od
9	03-3836-02	Screw #8 X 3/8 Pan Head
10	02-4819-02	Top Trimstrip
11	A40309-025	Top Panel With Trimstrip
12	11-0622-21	Lower Switch Panel W/ Harness
13	02-4821-02	Bezel, Includes Standard Door
13a	02-4822-01	Standard Bezel Door (Door Only)
13b	02-4822-02	Secure Bezel Door (Door Only)
14	03-1734-01	Insert
15	03-1417-27	Lock washer #8
16	02-4823-21	*Panel mount kit, left
17	02-4823-22	*Panel mount kit, right *Includes both screw receptacles
18	A40335-023	Right Side Panel
19	02-4341-01	Inner Front Panel *Includes both screw receptacles

# Prodigy Eclipse ECC and EH222 Service Parts

## Back Panel Assembly



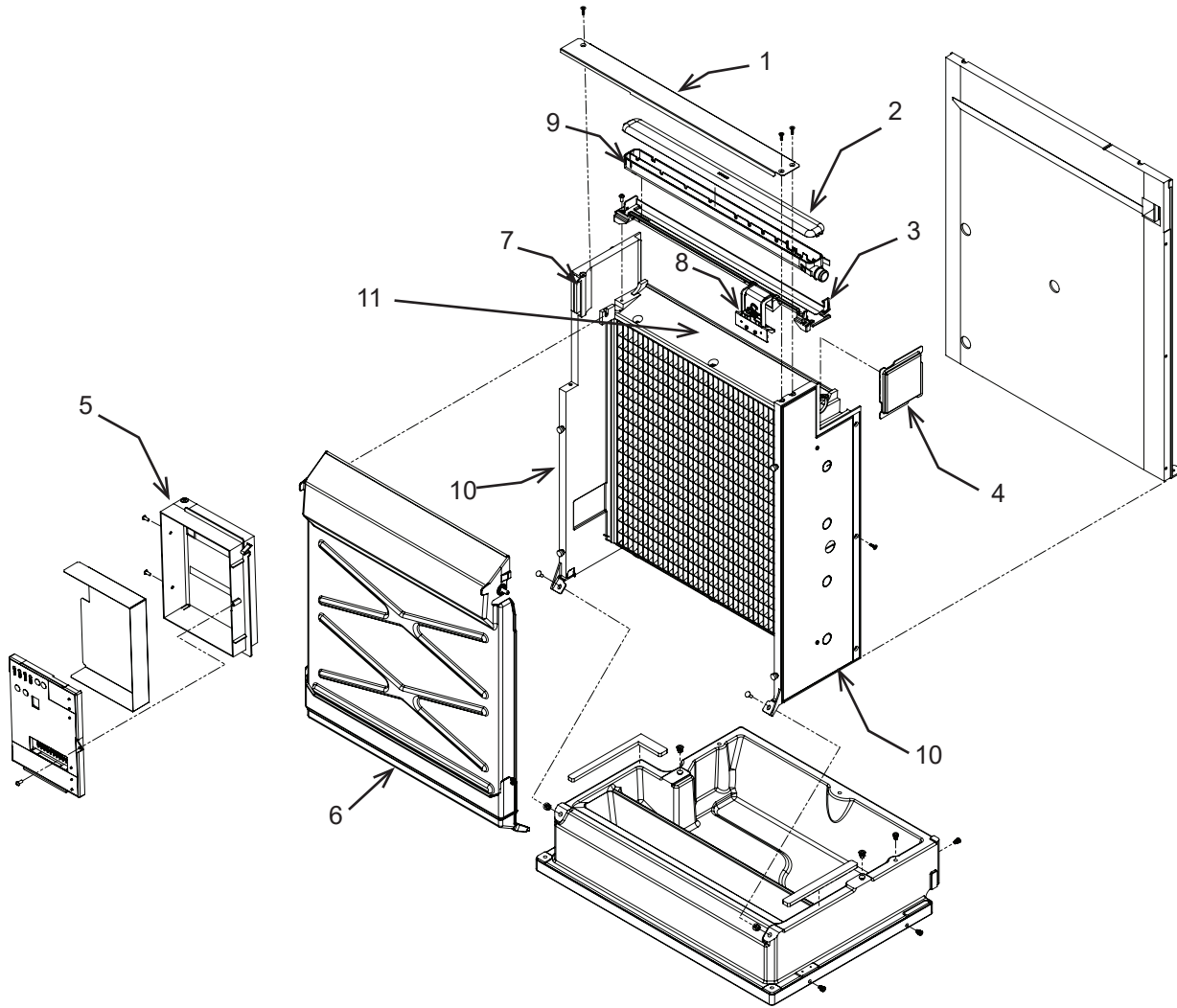
Item Number	Part Number	Description
1	A39070-001	Top panel bracket
2	12-2922-01	Inlet water sol valve, 115/60 Hz
2a	11-0568-02	Inlet water sol valve, 230/50 Hz
3	02-4290-01	Vent hose
4	13-0674-02	Tube, use 16 in
5	A40185-001	Back panel

Not shown

6 02-4716-01 Water inlet tube, 50 Hz only

# Prodigy Eclipse ECC and EH222 Service Parts

## EH222 Interior Parts

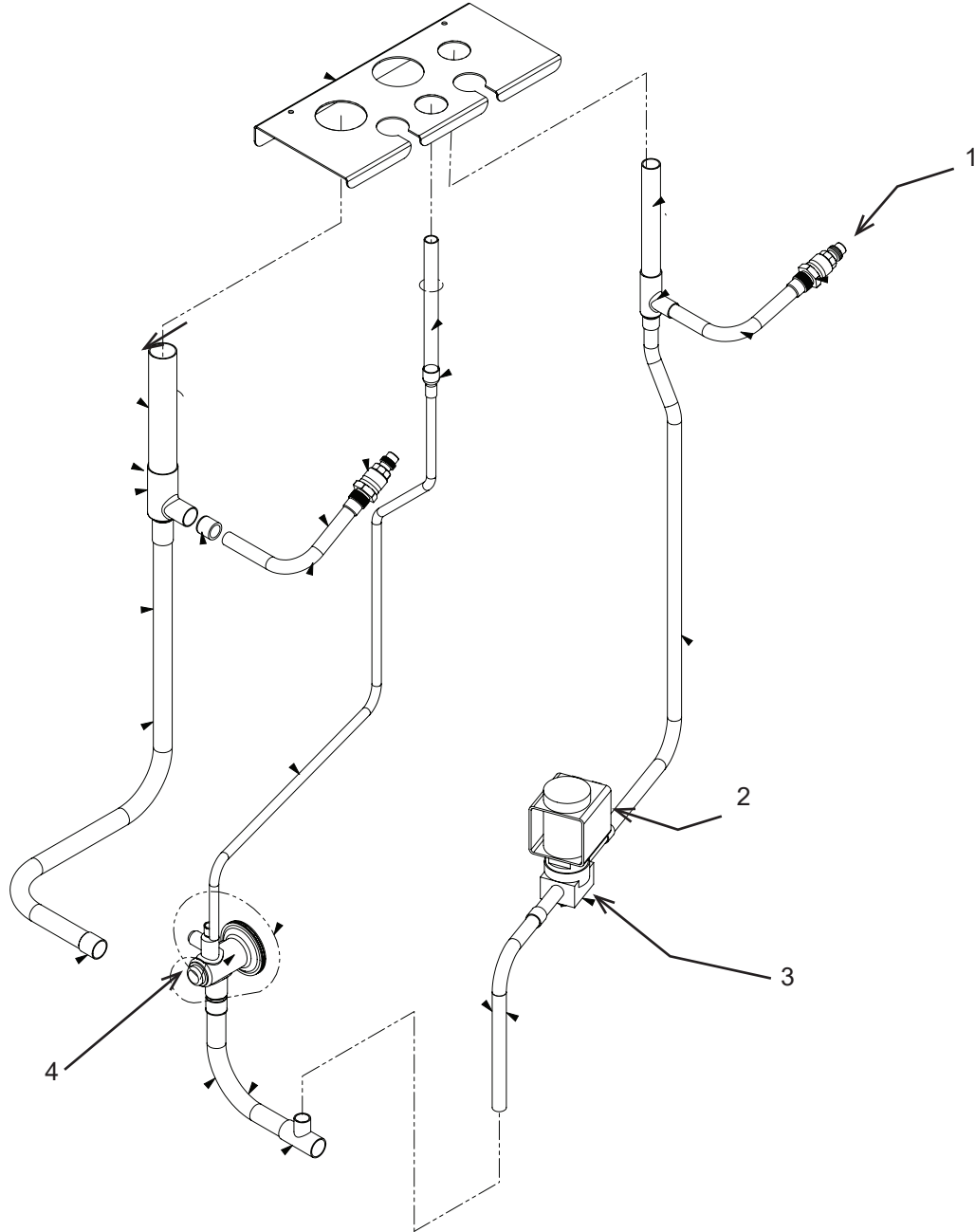


Item Number	Part Number	Description
1	A39078-001	Bracket
2	02-4065-01	Water distributor cover
3	02-4205-02	Mounting bracket
4	02-4297-01	Evap side cover
5	02-4343-01	Controller box
6	02-4611-21	Curtain only (articulated)
7	A39053-021	Evaporator, small cube
	A39053-022	Evaporator, med cube
8	A39031-021	Ice thickness sensor
9	02-4064-02	Water distributor
10	A39054-001	Left surround
	A39056-001	Right surround
11	02-4156-21	Spillway Replacement Kit



# Prodigy Eclipse ECC and EH222 Service Parts

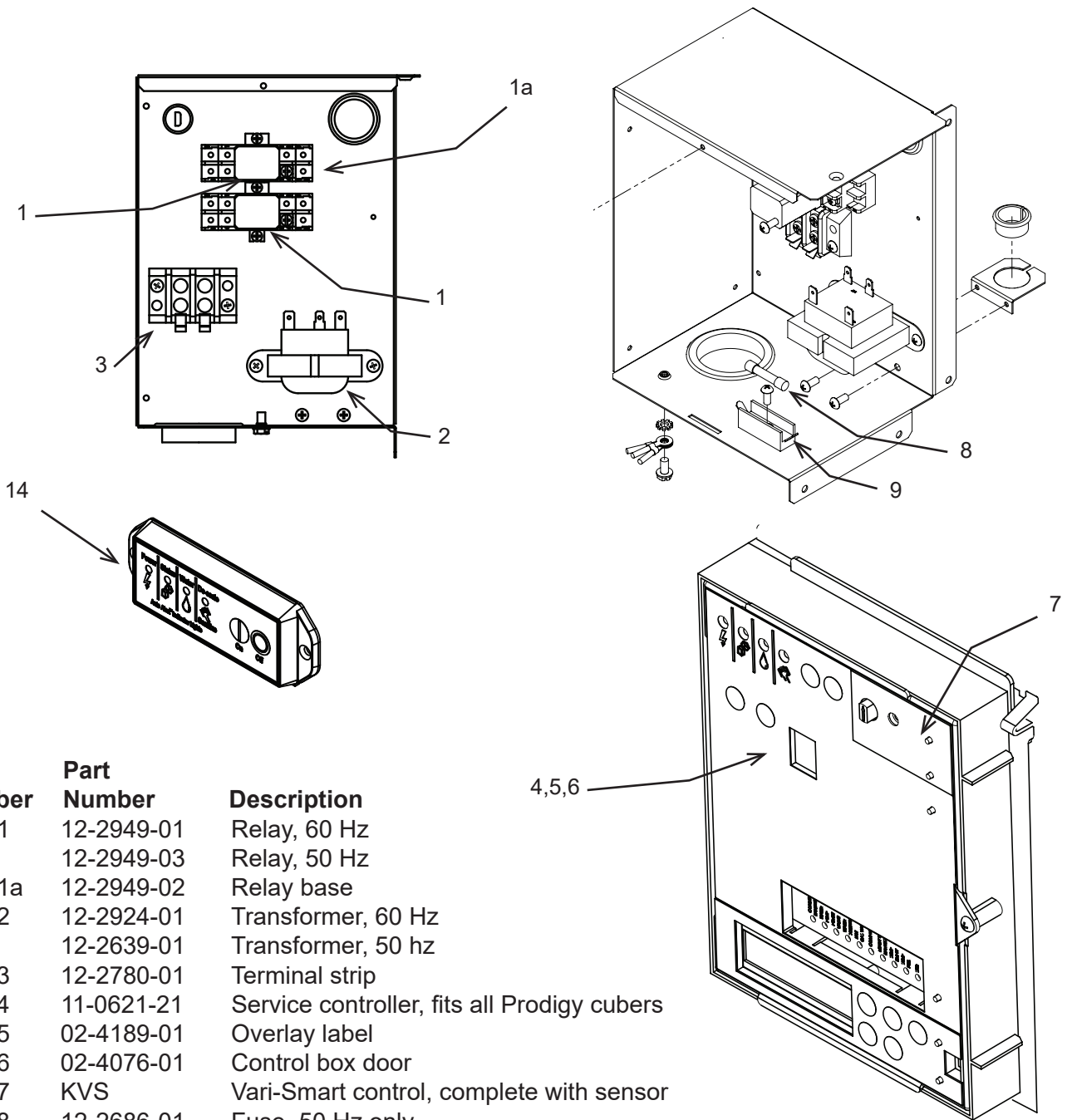
## EH222 Refrigeration



Item Number	Part Number	Description
1	16-1137-01	Access valve seat
	16-1140-01	Access valve cap
	16-1139-01	Access valve core
2	12-2719-21	Coil, 115 volt
	12-2719-22	Coil, 230 volt 50 Hz
3	11-0493-02	Vapor solenoid valve A-D Series- 115/60 Hz
	11-0493-03	Vapor solenoid valve E Series- 115/60 Hz
	11-0491-01	Vapor solenoid valve, - 230/50 Hz
4	16-1142-01	TXV
4a	19-0599-06	Insulation, TXV

# Prodigy Eclipse ECC and EH222 Service Parts

## EH222 Electrical

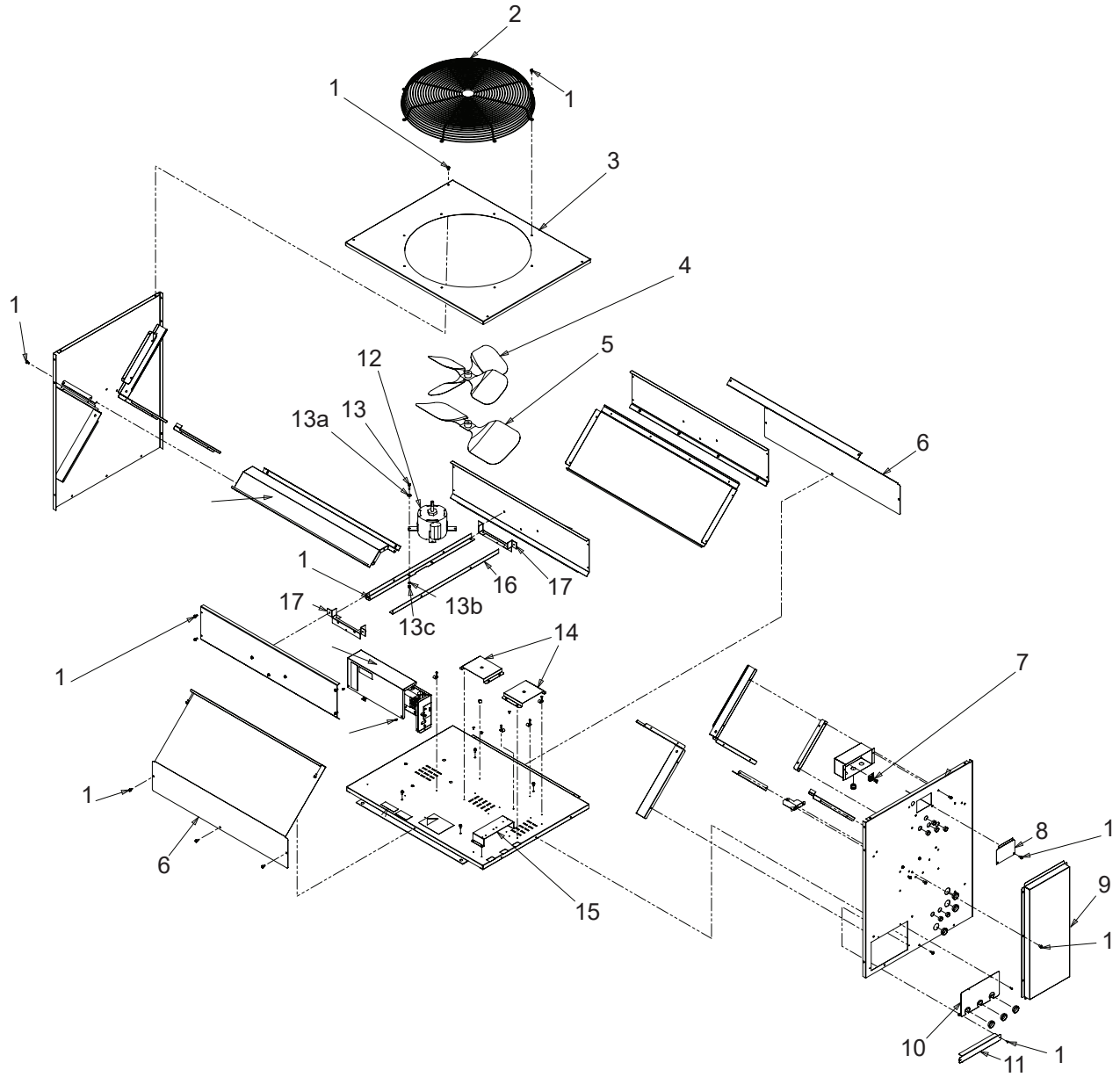


Item Number	Part Number	Description
1	12-2949-01	Relay, 60 Hz
	12-2949-03	Relay, 50 Hz
1a	12-2949-02	Relay base
2	12-2924-01	Transformer, 60 Hz
	12-2639-01	Transformer, 50 Hz
3	12-2780-01	Terminal strip
4	11-0621-21	Service controller, fits all Prodigy cubers
5	02-4189-01	Overlay label
6	02-4076-01	Control box door
7	KVS	Vari-Smart control, complete with sensor
8	12-2686-01	Fuse, 50 Hz only
9	12-2687-01	Fuse holder, 50 Hz only
Not shown:		
10	12-1638-19	Power cord, 60 Hz
	12-1638-25	Power cord, 50 Hz
11	12-2957-01	High voltage harness, 60 Hz
	12-3074-02	High voltage harness, 50 Hz
12	12-2954-01	Low voltage harness, 60 Hz
	12-3072-01	Low voltage harness, 50 Hz
13	12-2928-01	Water level sensor harness
14	11-0622-21	Lower Switch Panel W/ Harness



# Prodigy Eclipse ECC and EH222 Service Parts

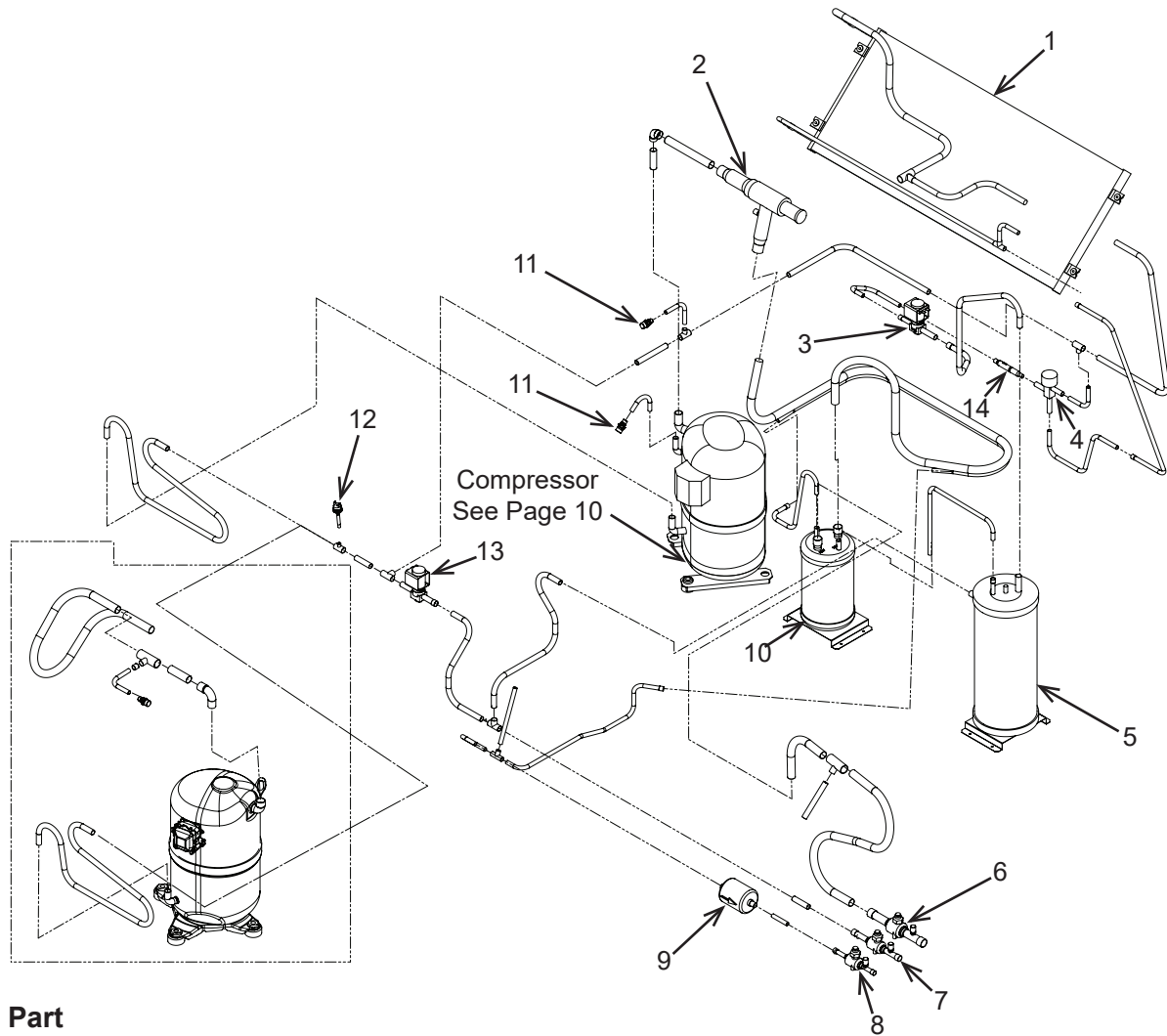
## ECC Cabinet and Fan



Item Number	Part Number	Description
1	03-1645-01	Screw
2	02-3575-01	Fan guard, 0800A, 1410A
	02-3770-01	Fan guard, 1800A, 0800E, 1410E
3	A39744-001	Top panel, 0800A, 1410A
	A39744-002	Top panel, 1800A, 0800E, 1410E
4	18-8816-01	Fan blade, 0800A, 1410A
5	18-8820-01	Fan blade, 1800A, 0800E, 1410E
6	A40100-001	Cover
7	12-2640-01	Terminal strip, 50 Hz only
8	A37128-001	Box cover
9	A40091-001	Chase cover
10	A40094-001	Valve cover
11	A40106-001	Lower cover
12	12-2651-03	Fan motor, 0800, 1410A
	12-3135-01	ECM Fan motor, 1410E
	12-2949-04	Fan relay used on E Series only
	12-2717-02	Fan motor, 1800
13	03-1405-08	Hex bolt
13a	03-1407-06	Flat washer
13b	03-1410-03	Lock washer
13c	03-1406-08	Nut
14	A37948-001	Bracket
15	A40093-001	Bracket
16	A39749-001	Motor bracket
17	A37282-001	Support

# Prodigy Eclipse ECC and EH222 Service Parts

## ECC Refrigeration Components



Item Number	Part Number	Description
1	18-8945-22	Coil
2	16-1096-01	CPR valve
3	11-0546-01	Liquid line inlet valve
4	11-0422-22	Head master valve
5	16-1085-03	Receiver
6	16-1208-03	Ball valve 3/4
7	16-1208-02	Ball valve 1/2
8	16-1208-01	Ball valve 3/8
9	02-3319-02	Dryer
10	16-1157-21	Accumulator, 0800, 1410
	16-1122-21	Accumulator, 1800
11	16-1137-01	Access valve seat
	16-1139-01	Access valve core
	16-1140-01	Access valve cap
12	11-0501-02	High pressure cut out switch
13	11-0507-03	Bypass valve
14	16-1029-01	Check valve

# Prodigy Eclipse ECC and EH222 Service Parts

## ECC0800 and ECC1410 Compressors

Compressor - see table below

Model	Phase	Hz	Part Number
ECC0800-32	single	60	18-8813-23
ECC0800-3	three	60	18-8813-25
ECC0800-6	single	50	18-8749-27
ECC1410-32A	single	60	18-8965-21
ECC1410-32E	single	60	18-8726-23
ECC1410-3A	three	60	18-8965-22
ECC1410-3E	three	60	18-8726-25

Single phase 60 Hz compressors include starting components.

All include a drier.

All have internal overloads

12-3043-03 Crankcase heater for 18-8813, 18-8726 and 18-8749 type  
 Crankcase heater for 18-8965 type is internal.

Mounting parts for compressors:

18-2300-27 Mounting grommet  
 18-2300-26 Sleeve  
 03-1407-07 Flat washer  
 03-1405-20 Cap screw

Parts Shipped in condensing unit:

12-2865-01 75' Interconnecting harness

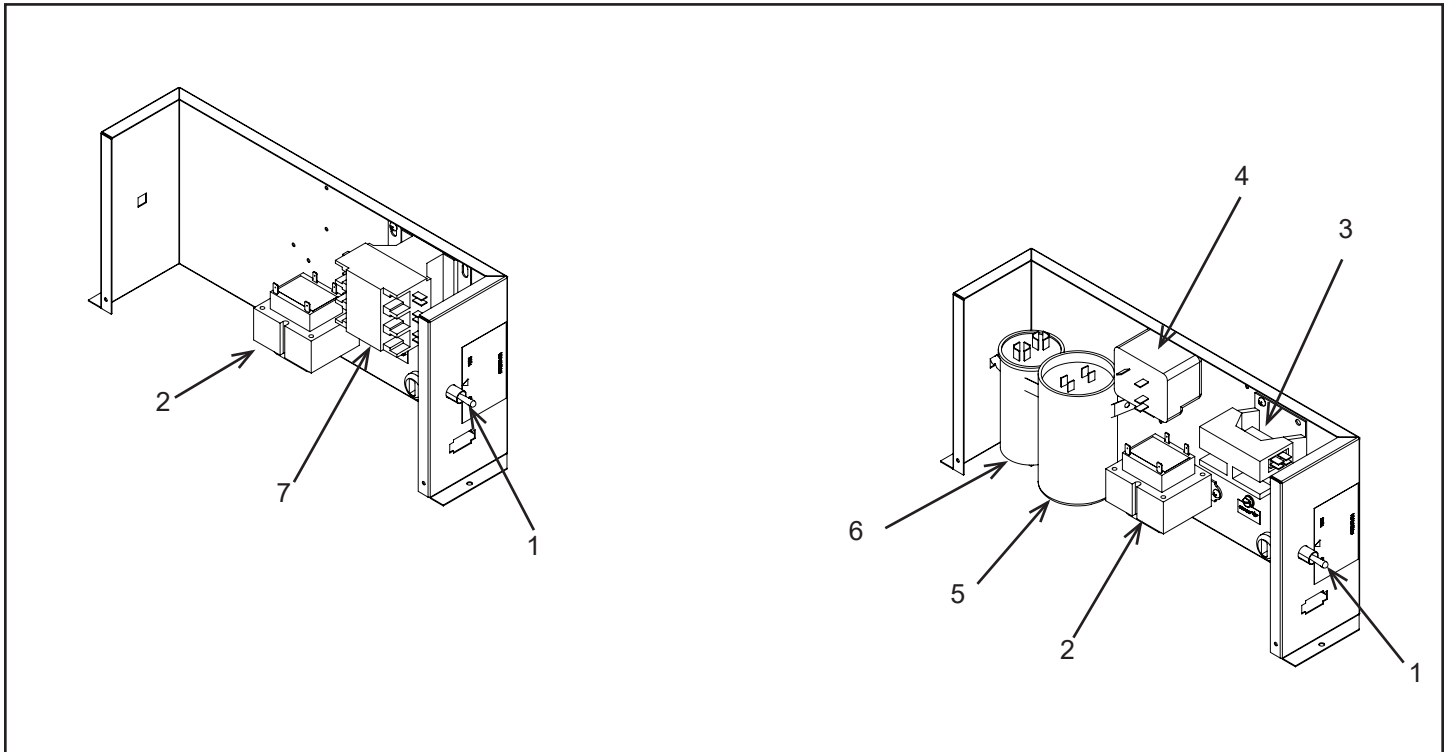
Note: Pin Extraction Tool is available.

TE Connectivity Part Number 305183

Here is an example [Link](#)

# Prodigy Eclipse ECC and EH222 Service Parts

## ECC0800 and ECC1410 Control Box



**Three Phase Control Box**

**Single Phase Control Box**

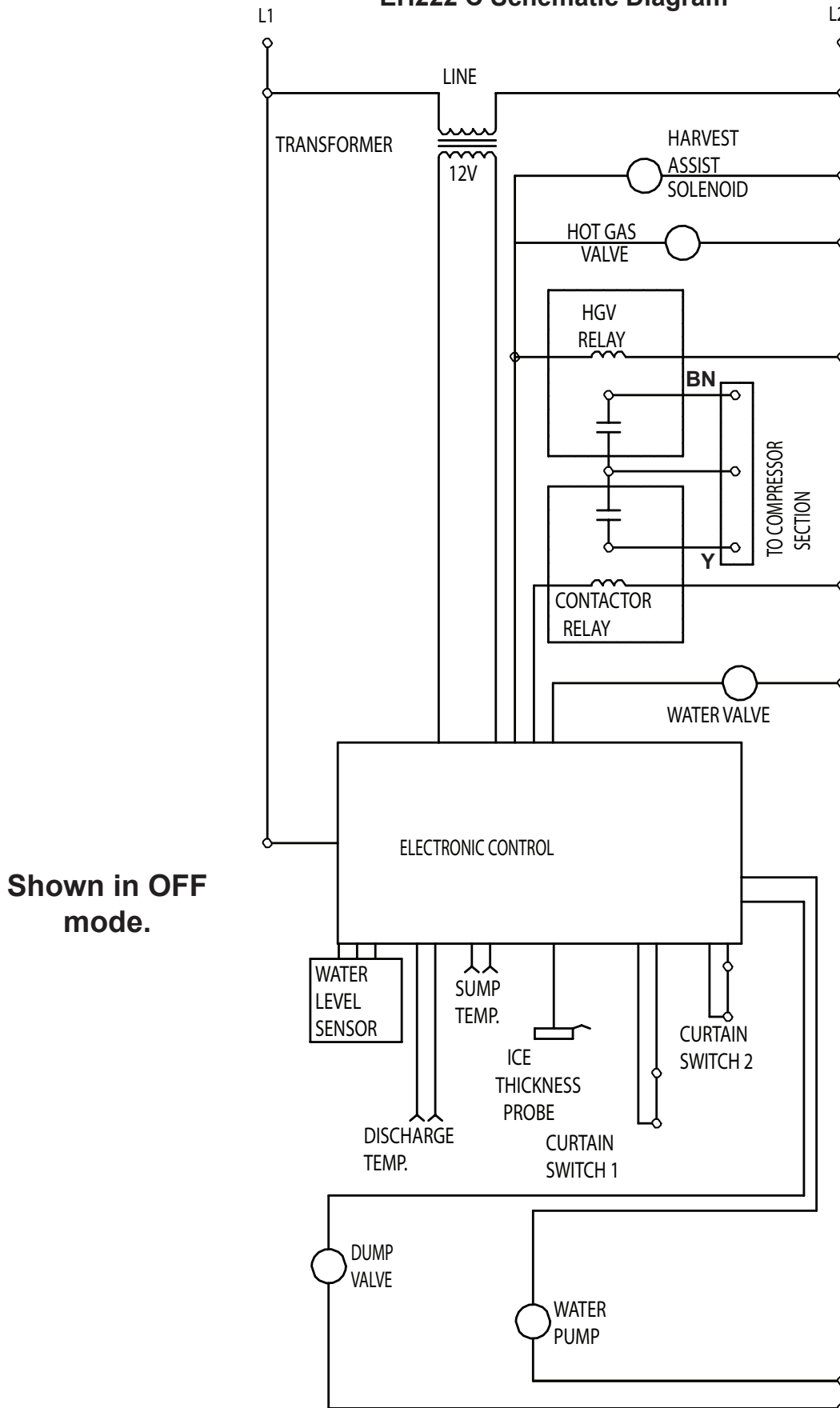
Item Number	Part Number	Description
1	12-2637-01	Toggle switch
2	12-2836-02	Transformer, 60 Hz models 230 volt to 24 volt
	12-2639-02	Transformer, 50 Hz models
3	12-2469-01	Single phase contactor

				A Series	E Series
		<b>ECC0800-32</b>	<b>ECC0800-6</b>	<b>ECC1410-32A</b>	<b>ECC1410-32E</b>
4	Comp. Relay	18-1903-33	18-1903-33	18-1903-72	18-1903-33
5	Start Capacitor	18-1901-15	18-1901-48	18-1901-59	18-1901-15
6	Run Capacitor	18-1902-69	18-1902-70	18-1902-69	18-1902-69

7	12-2533-01	Contactor, 3 phase
Not Shown:		
8	12-3043-03	Crankcase heater, 0800 and 1410E
9	12-2686-01	Fuse, 50 Hz models only
10	12-2687-01	Fuse holder, 50 Hz models only
11	12-2640-01	Terminal block, 50 Hz models only

# Prodigy Eclipse ECC and EH222 Service Parts

## EH222 C Schematic Diagram



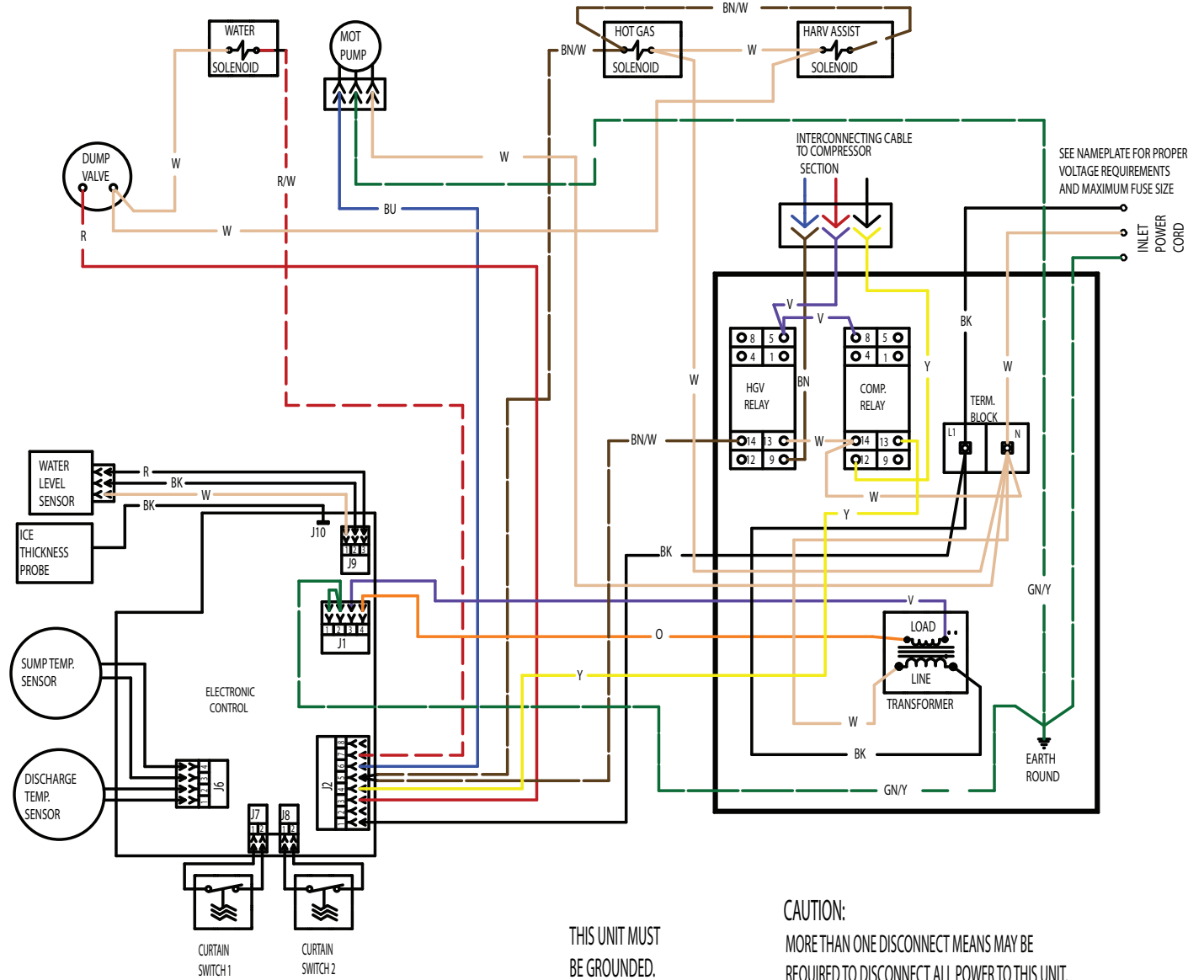
Shown in OFF mode.

# Prodigy Eclipse ECC and EH222 Service Parts EH222 C Wiring Diagram

USE COPPER CONDUCTORS ONLY

17-3111-01

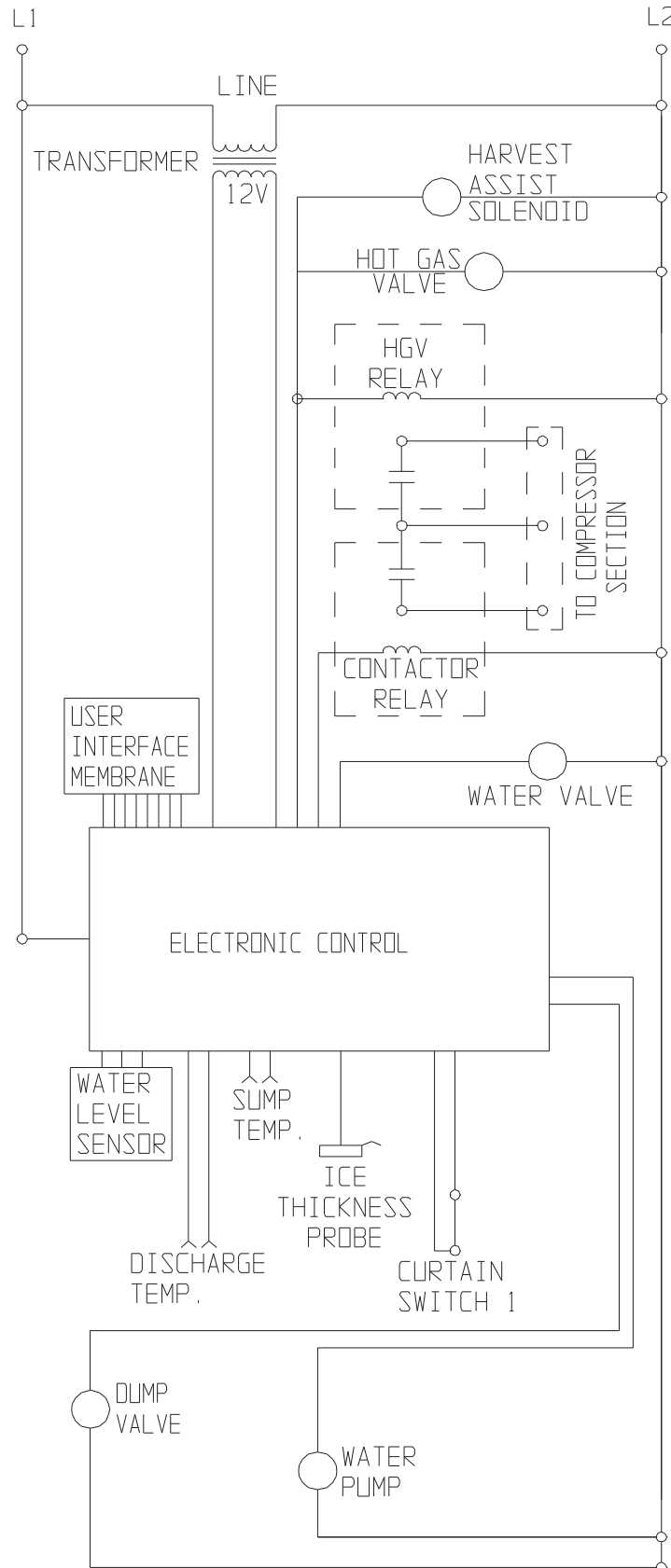
△ DASHED LINES INDICATE FIELD WIRING WHICH MUST BE INSTALLED IN ACCORDANCE WITH THE NATIONAL ELECTRICAL CODE AND ALL STATE AND LOCAL CODES.



	Freeze: Coil	Freeze: Contacts	Harvest: Coil	Harvest: Contacts
Comp Relay	Energized (by Y)	8-12 closed (to Y)	Energized (by Y)	8-12 Closed (to Y)
HGV Relay	NOT Energized	5-9 Open	Energized (by BN/W)	5-9 Closed (to BN)

# Prodigy Eclipse ECC and EH222 Service Parts

## EH222 D and E Schematic Diagram



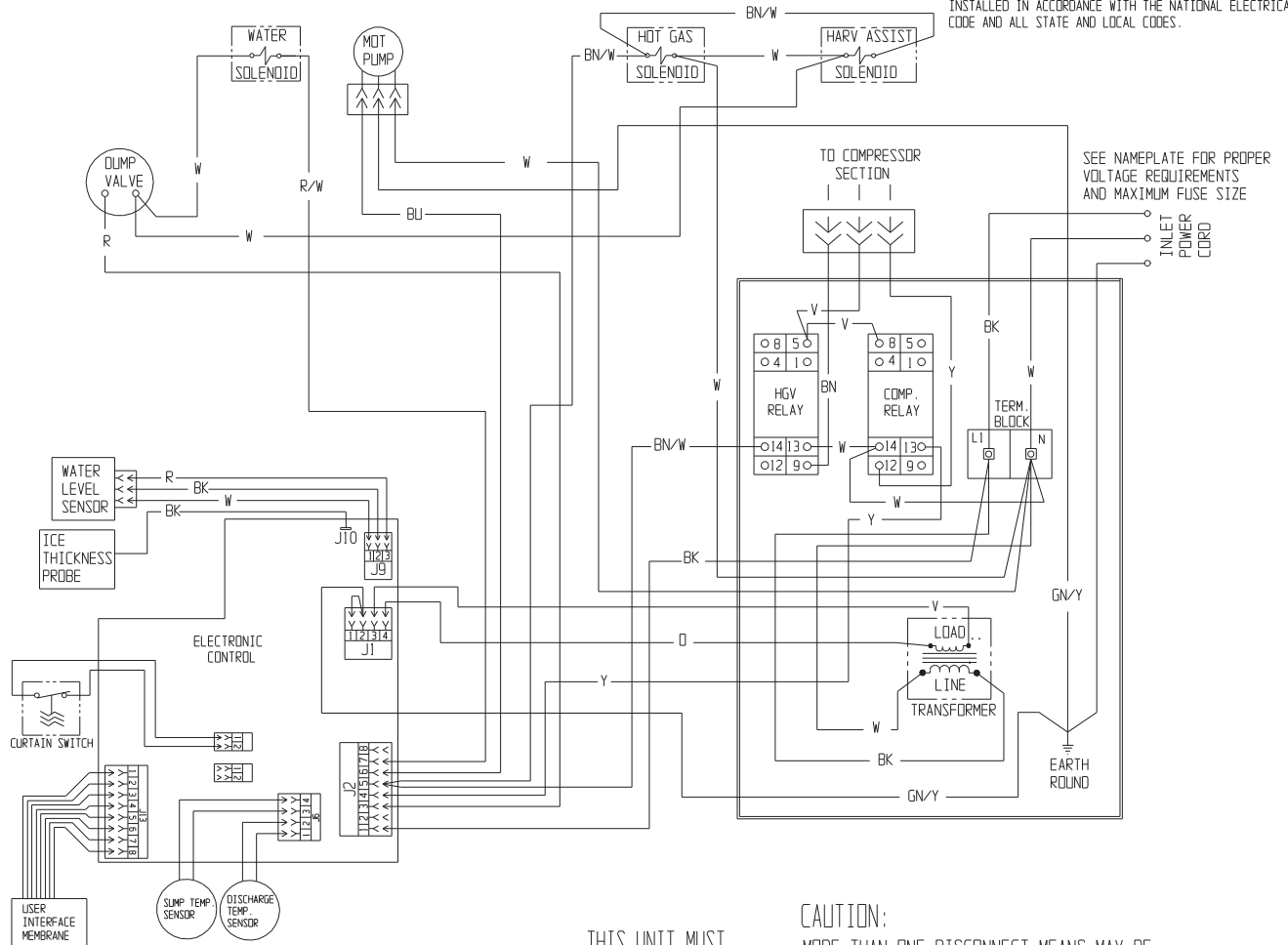
# Prodigy Eclipse ECC and EH222 Service Parts

## EH222 D and E Wiring Diagram

17-3537-01

USE COPPER CONDUCTORS ONLY

⚠ DASHED LINES INDICATE FIELD WIRING WHICH MUST BE INSTALLED IN ACCORDANCE WITH THE NATIONAL ELECTRICAL CODE AND ALL STATE AND LOCAL CODES.



SEE NAMEPLATE FOR PROPER VOLTAGE REQUIREMENTS AND MAXIMUM FUSE SIZE

INLET POWER CORD

GN/Y  
EARTH ROUND

THIS UNIT MUST BE GROUNDED.

CAUTION:  
MORE THAN ONE DISCONNECT MEANS MAY BE REQUIRED TO DISCONNECT ALL POWER TO THIS UNIT.

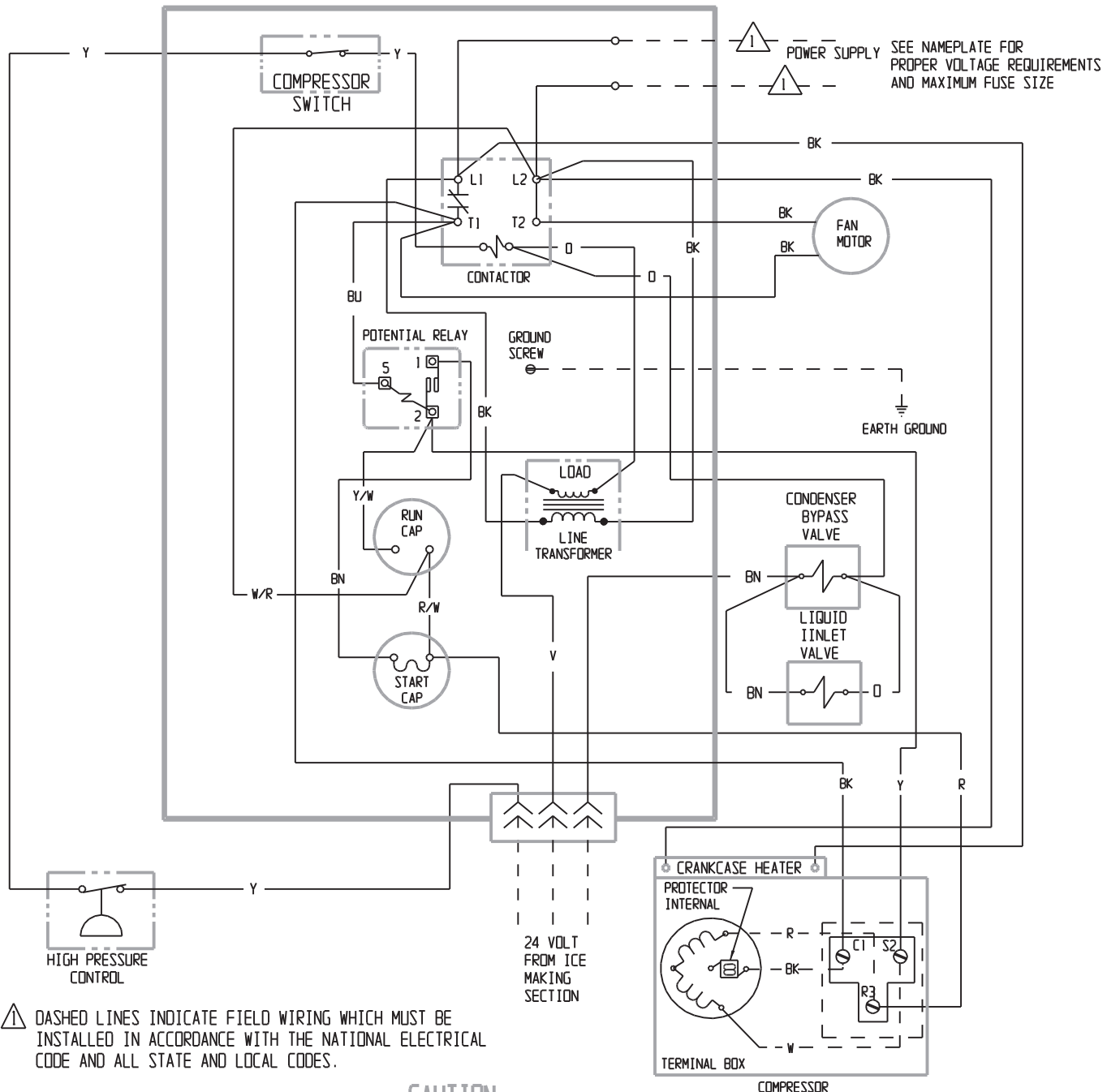


# Prodigy Eclipse ECC and EH222 Service Parts

## ECC0800 C,D and E and ECC1410 C and D Single Phase Wiring Diagram

17-3461-01

USE COPPER CONDUCTORS ONLY



⚠ DASHED LINES INDICATE FIELD WIRING WHICH MUST BE INSTALLED IN ACCORDANCE WITH THE NATIONAL ELECTRICAL CODE AND ALL STATE AND LOCAL CODES.

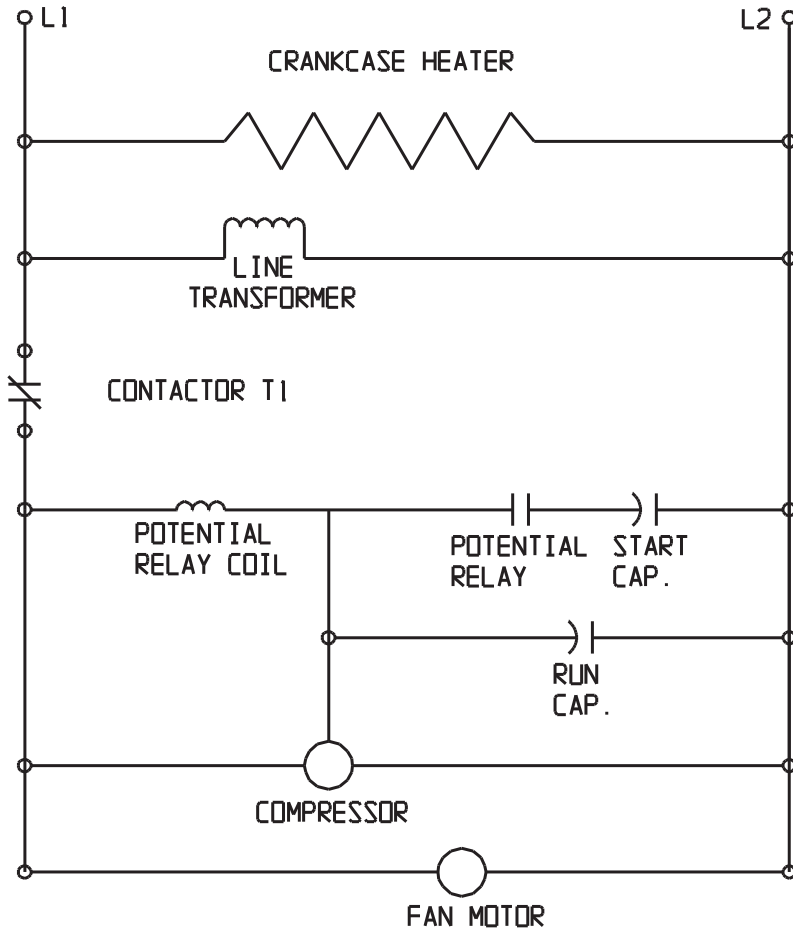
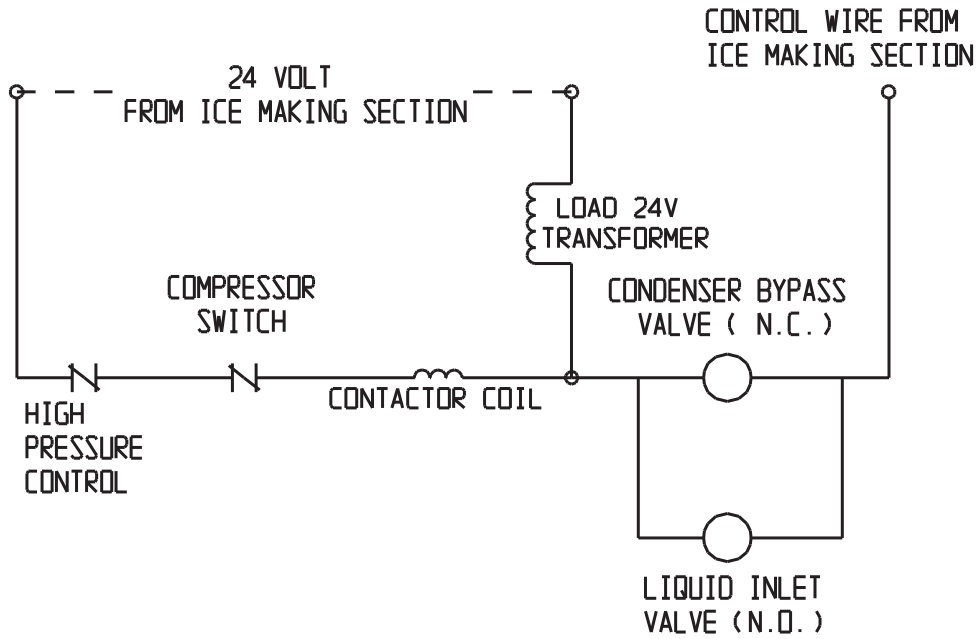
CAUTION:

MORE THAN ONE DISCONNECT MEANS MAY BE REQUIRED TO DISCONNECT ALL POWER TO THIS UNIT.

THIS UNIT MUST BE GROUNDED.

# Prodigy Eclipse ECC and EH222 Service Parts

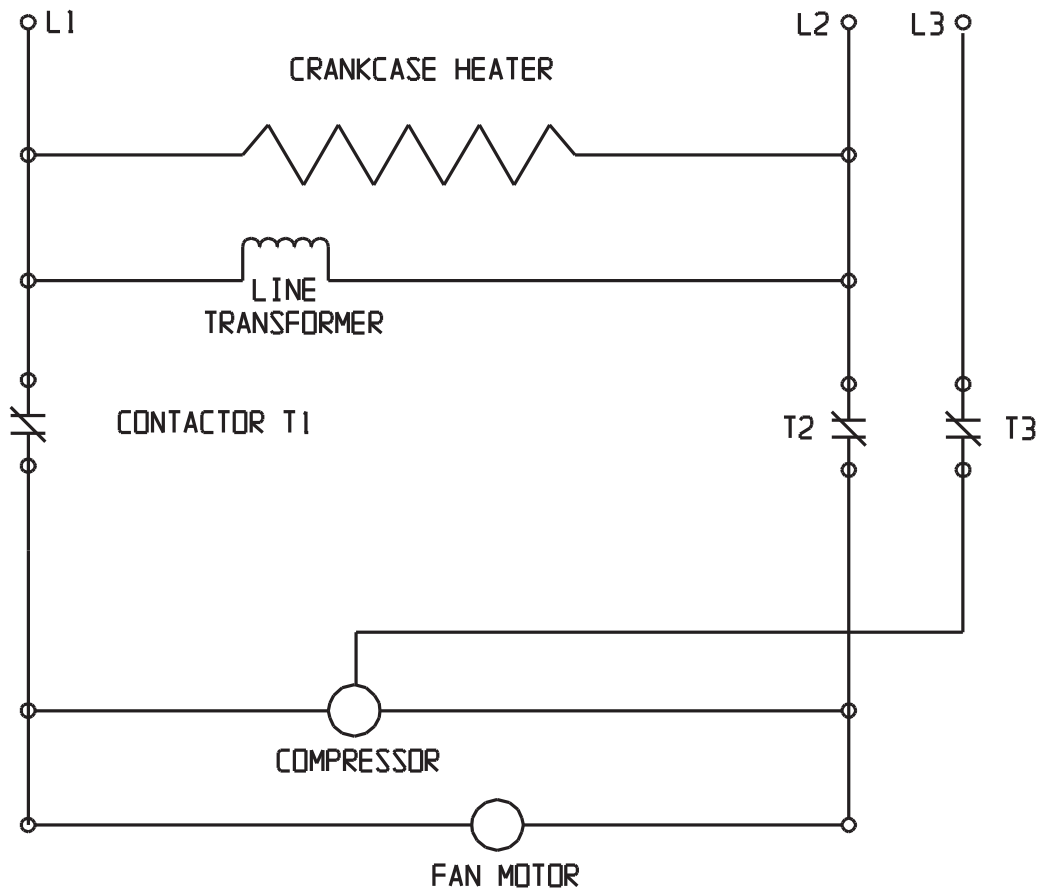
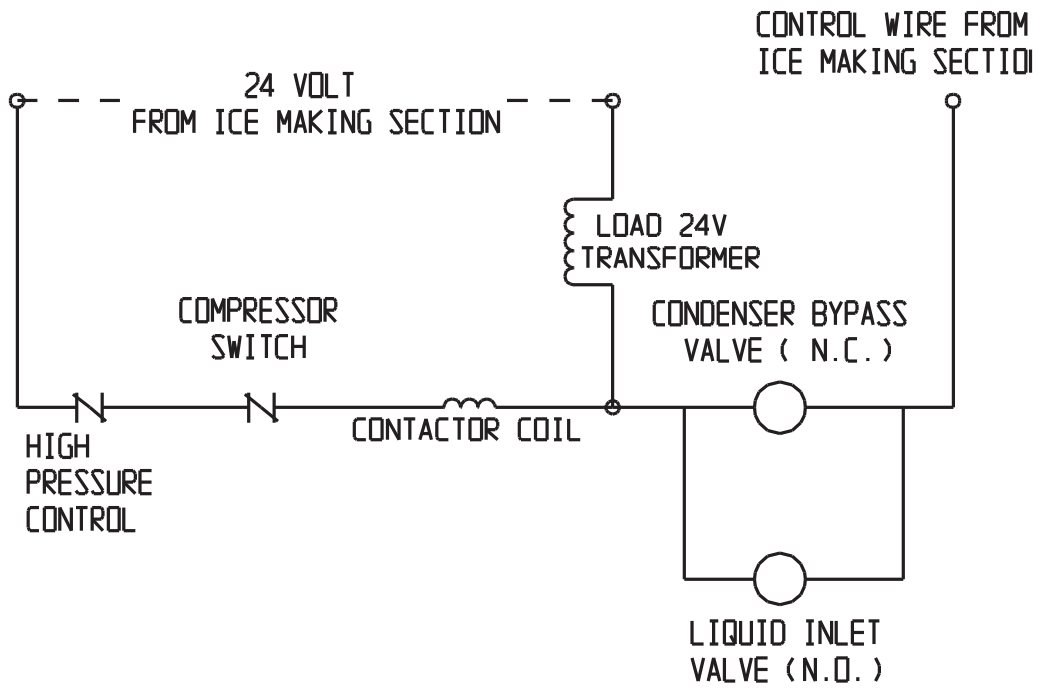
## ECC0800 C,D and E and ECC1410 C, D Single Phase Schematic Diagram





# Prodigy Eclipse ECC and EH222 Service Parts

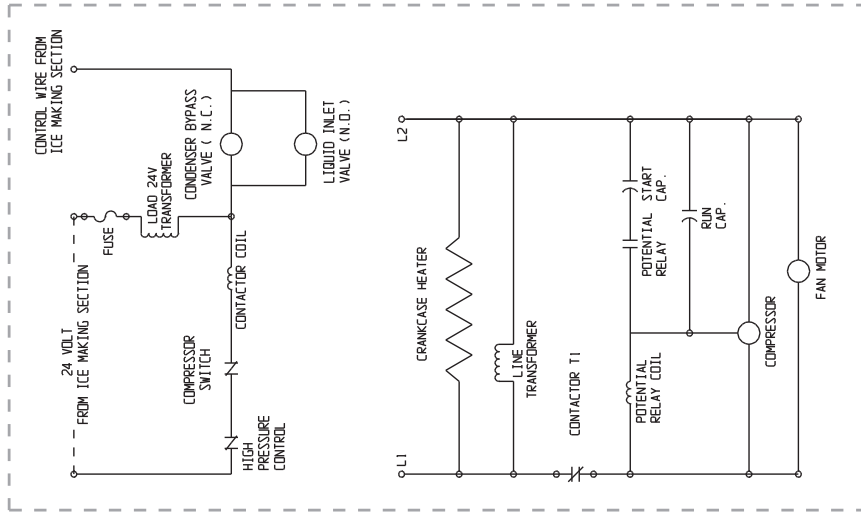
## ECC0800 C,D and E and ECC1410 C and D Three Phase Schematic Diagram



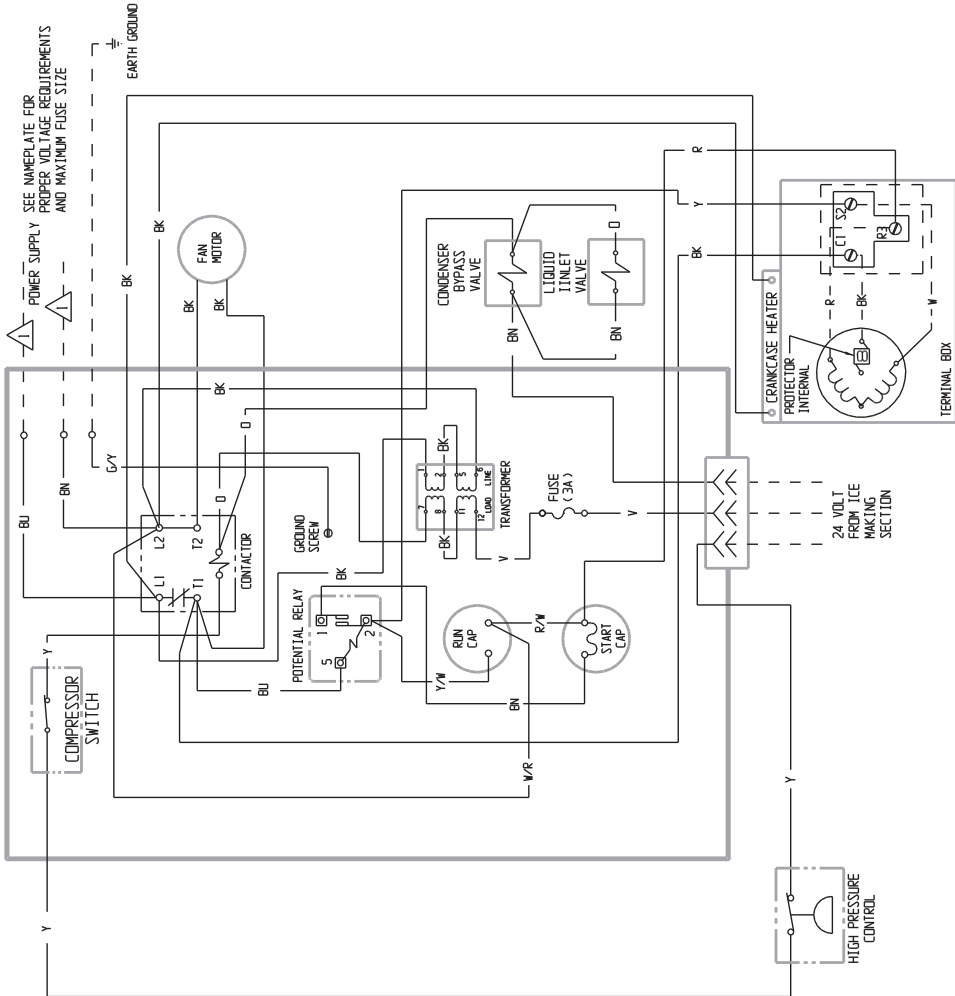
# Prodigy Eclipse ECC and EH222 Service Parts

## 50 Hz Model Wiring and Schematic Diagram

⚠ DASHED LINES INDICATE FIELD WIRING WHICH MUST BE INSTALLED IN ACCORDANCE WITH THE NATIONAL ELECTRICAL CODE AND ALL STATE AND LOCAL CODES.



USE COPPER CONDUCTORS ONLY



17-3462-01

CAUTION:  
MORE THAN ONE DISCONNECT MEANS MAY BE REQUIRED TO DISCONNECT ALL POWER TO THIS UNIT.

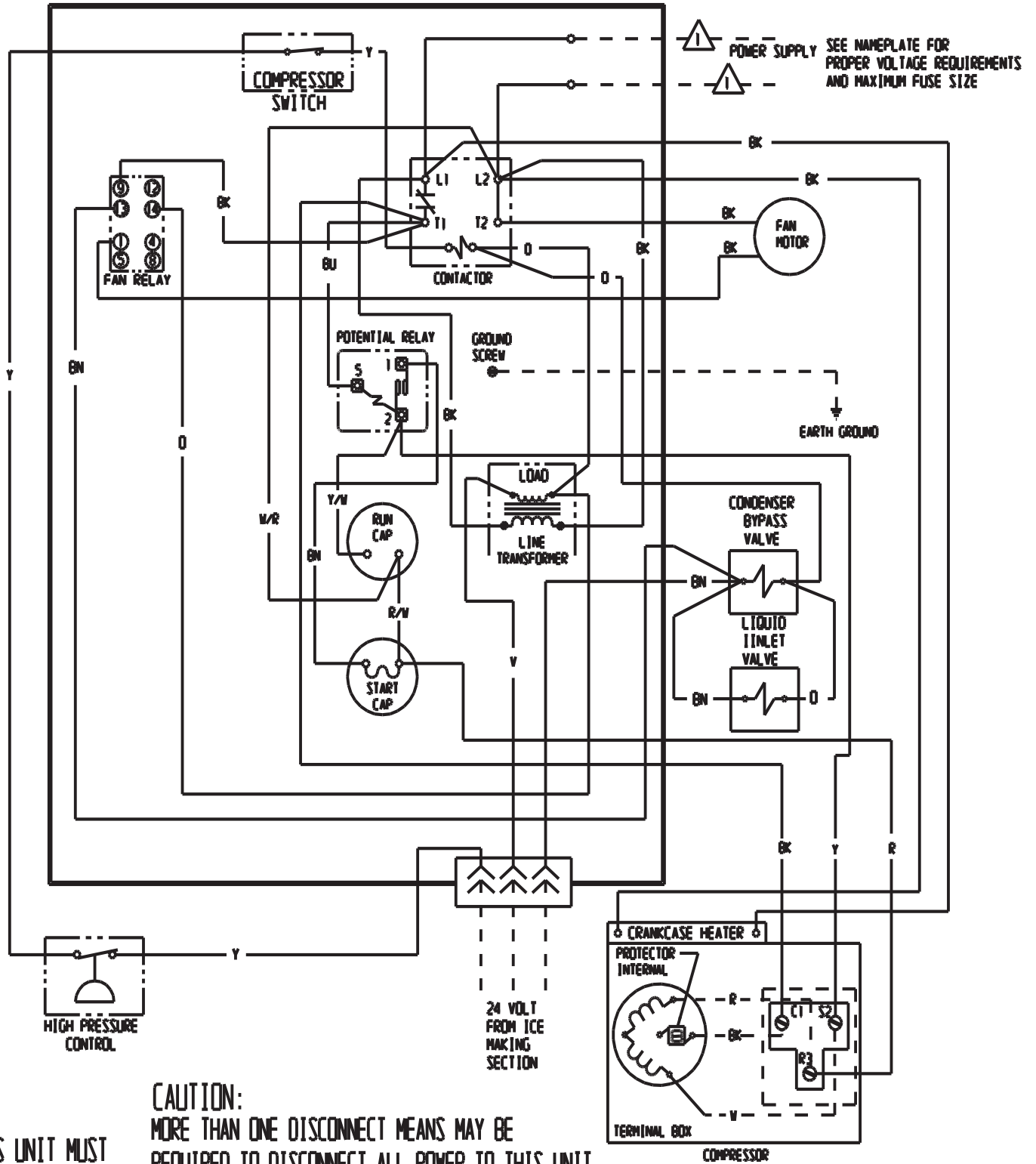
THIS UNIT MUST BE GROUNDED.

# Prodigy Eclipse ECC and EH222 Service Parts

## ECC1410 E Single Phase Wiring Diagram

17-3653-01

USE COPPER CONDUCTORS ONLY



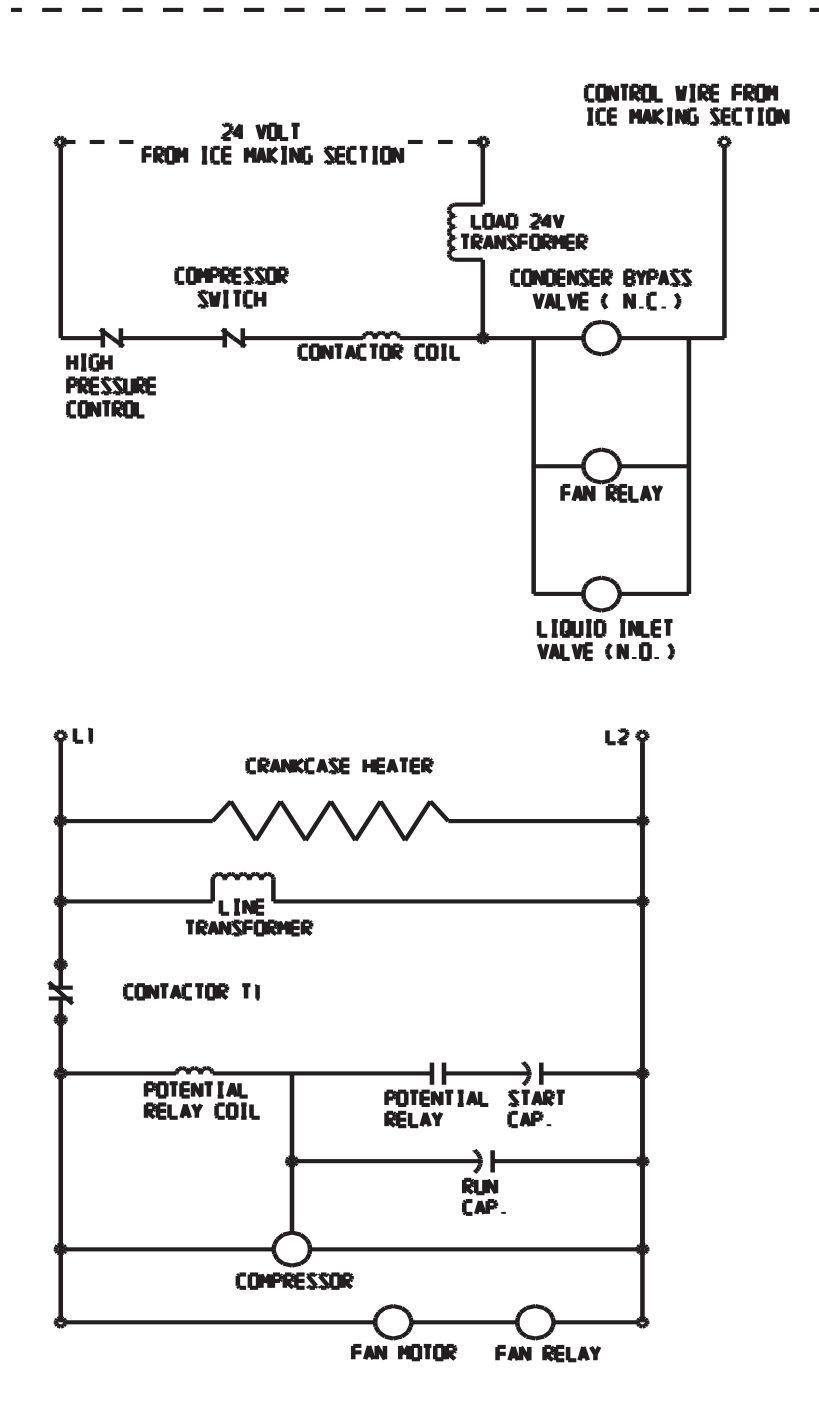
THIS UNIT MUST BE GROUNDED.

CAUTION:  
MORE THAN ONE DISCONNECT MEANS MAY BE REQUIRED TO DISCONNECT ALL POWER TO THIS UNIT.

# Prodigy Eclipse ECC and EH222 Service Parts

## ECC1410 E Single Phase Schematic Diagram

CODE AND ALL STATE AND LOCAL CODES.

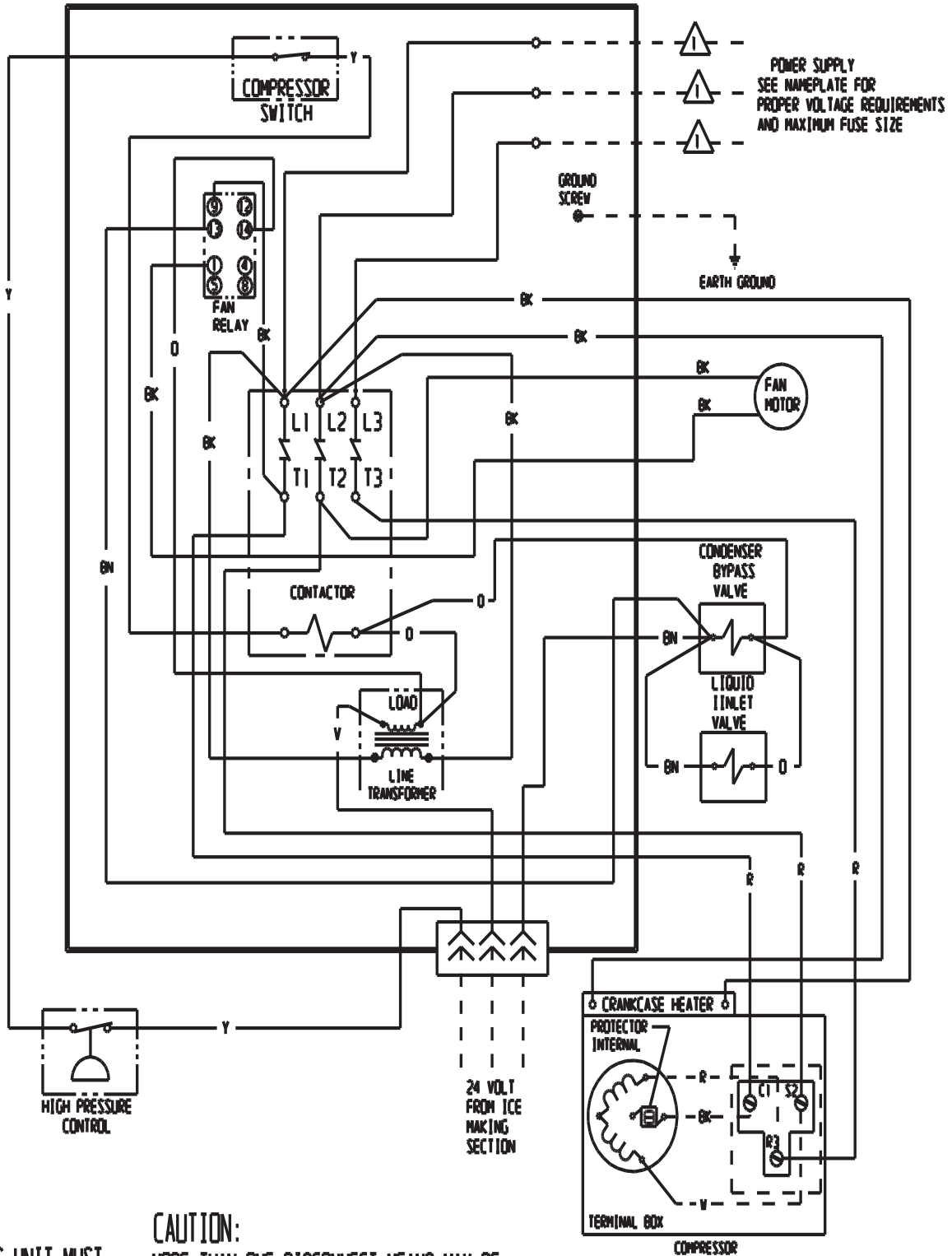


# Prodigy Eclipse ECC and EH222 Service Parts

## ECC1410 E Three Phase Wiring Diagram

17-3652-01

USE COPPER CONDUCTORS ONLY



THIS UNIT MUST  
BE GROUNDED.

CAUTION:  
MORE THAN ONE DISCONNECT MEANS MAY BE  
REQUIRED TO DISCONNECT ALL POWER TO THIS UNIT.



# Prodigy Eclipse ECC and EH222 Service Parts

## ECC1410 E Three Phase Schematic Diagram

**⚠ DASHED LINES INDICATE FIELD WIRING WHICH MUST BE INSTALLED IN ACCORDANCE WITH THE NATIONAL ELECTRICAL CODE AND ALL STATE AND LOCAL CODES.**

